

AUTOSLIDE

Key Switch Cable Guide

(LSG0 7.29.22)

The AutoSlide Key Switch cable is a 12' three-core cable that can connect an AutoSlide to a momentary relay switch. The relay switch can be connected to a smart home system (such as Alexa, Z-Wave, or Google Home), or can be a sensor like a card reader or handicap plate.

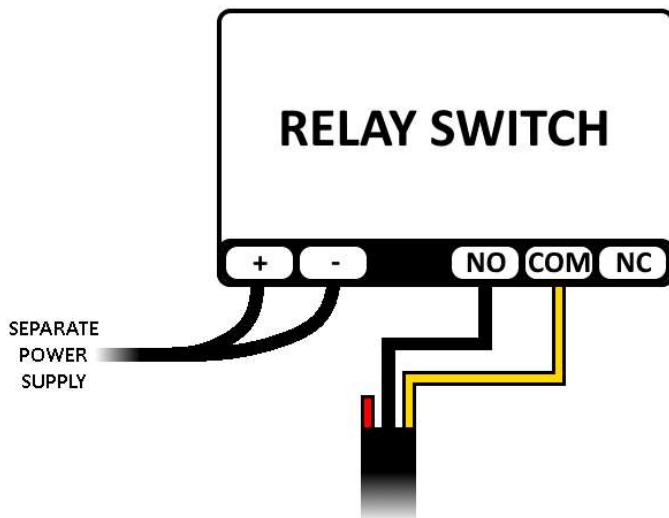


The cable terminates in a plug on one end (which plugs into any AutoSlide sensor port) and three wires (yellow, black, red) on the other:

- **Yellow Wire: the signal/communication wire**
- **Black Wire: the ground or common wire**
- **Red Wire: optional +12V power wire**

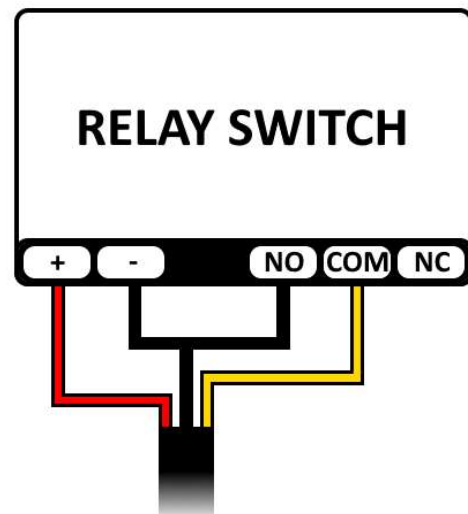
The black and yellow wires are for normally open contact, so connecting these to the device should close the switch. When a signal is sent from the relay, it should complete the circuit between black and yellow which triggers the AutoSlide to open the door.

The red wire is only necessary if you need to provide power to the momentary relay. In cases where the relay switch has its own power supply, you would shunt the red wire and connect only the yellow and black wires to the relay device.



Illustrates the wiring for a typical momentary relay switch. In this case, the relay switch includes its own power cable that plugs into a power supply such as a wall outlet.

- Black to NO
- Yellow to COM
- Shunt red



Illustrates the wiring for a typical momentary relay switch. In this case, the relay switch is powered by the AutoSlide system and not a separate power supply.

- Black to NO and -, in parallel
- Yellow to COM
- Red to +