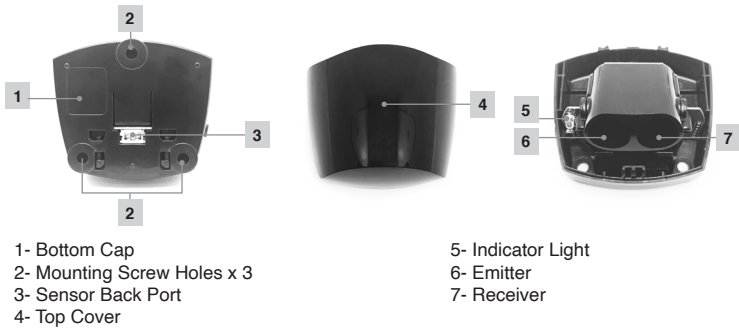


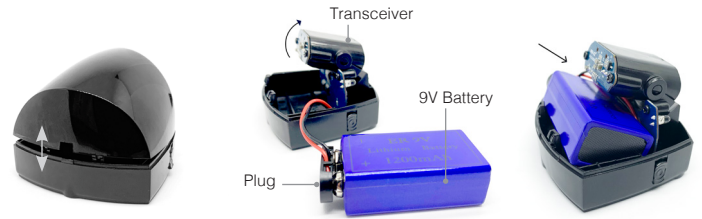
AUTOSLIDE

Installing your AUTOSLIDE Infrared Sensor Hardwire / Wireless

Infrared Sensor - The overall structure parts

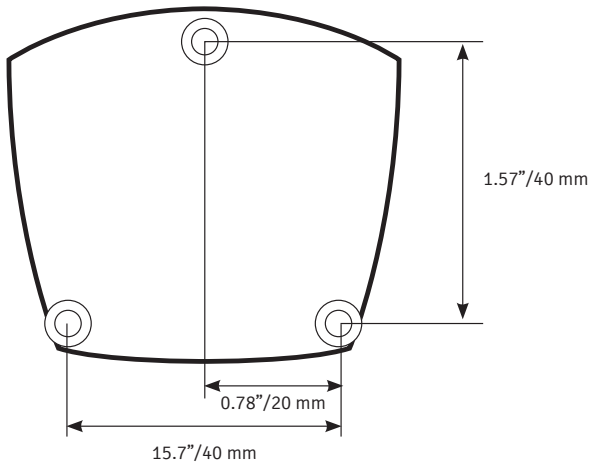


WIRELESS - Battery Installation



Remove the cover of the sensor to expose the board. If the battery isn't installed, rotate the transceiver down to make room for the battery. Next, connect the battery to the plug and then slide the battery into place (the red and black cables on the side should form a partial loop).

HARDWARE/WIRELESS - Wall installation



The AutoSlide IR sensors should be secured by screws, double-sided tape, or command strips and mounted as follows:

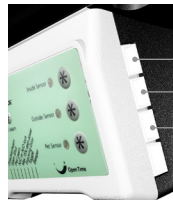
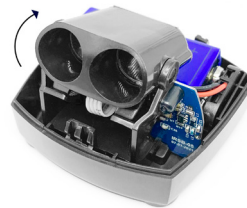
- ***Out of direct sunlight and direct exposure to rain and snow.** (Direct sunlight onto sensor can cause false activations of your door.)
- One on each side of the door to allow access from inside and outside
- For use with pets, place the sensor so that the beam travels horizontally across the face of the doorway and at a position that matches your pet's height
- For use with people, place over the top of the door so that the beam travels vertically down the face of the door being used.

Screw Fix Installation:

1. Remove the sensor cover to reveal the transceiver and screw holes (there is no sensitivity adjuster any longer)
2. For masonry and other hard surface applications, it may be necessary to pre-drill and install wall anchors to have a secure sensor
Remove (command strips are an alternative if this isn't an option).

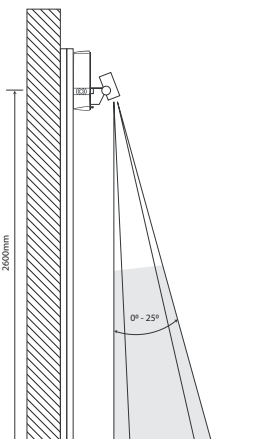
HARDWARE - Cable Connections

1. On an AutoSlide System, the sensor cable is typically fed in from behind the unit (through the space at the back of the end-cap).
2. Connect the other end of your sensor cable to either the Inside Sensor, Outside Sensor, or Pet Sensor port on the unit's motherboard.
3. Power ON the sensor using the small black switch on the side of the sensor. Test the sensor by moving in front of it. A small blue light in the sensor should flash.
4. Power OFF the sensor. Position the transceiver angle in the direction that is required for your door setup. To program the beam length, position yourself at the maximum range you want the beam to shoot and turn the sensor power back ON. The blue light will begin to flash slowly and then rapidly. Remain in the same position until the blue light goes out. Walk away from the sensor and then back into the beam's path to test that the sensor is working.



WIRELESS - Sensor Learning

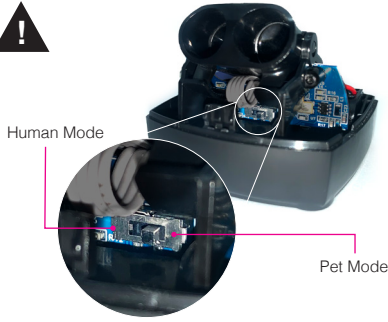
1. Remove the sensor cover and adjust the transceiver by rotating it to the angle required for proper detection
2. To program the beam length, position yourself at the maximum range you want the beam to shoot and turn the sensor power back ON. The blue light will begin to flash slowly and then rapidly. Remain in the same position until the blue light goes out
3. Test the sensor by moving in front of it. A small blue light on the sensor should illuminate when triggered
4. Press the Sensor Learn button on the motherboard. A red light will illuminate and remain on. Immediately trigger the sensor by moving in front of it, making sure the small blue light flashes on the sensor when triggered. The red light on the motherboard will flash three times. Trigger the sensor once more and the red light will go out. Your sensor is now programmed to the control unit
5. Test to see if the sensor will open your automatic door by walking in front of it. When triggered, a red light will flash on the right-side of the motherboard indicating the communication has been received and it will be displayed on the channel the sensor is programmed to.



- Connecting a sensor to the Inside Port/Channel will enable it in only Green, Red, and Orange Mode to open in the normal open width
- Connecting a sensor to the Outside Port/Channel will enable it in only Green Mode to open in the normal open width
- Connecting a sensor to the Pet Port/Channel will enable it to work in Orange Mode to open in the pet open width. The distance for Pet Mode must be programmed first before using this feature
- When sensor is used as safety sensor to prevent entrapment, please adjust and position the sensor in a position that best detects all types of traffic going through the door
- Ensure that the sensor has not been installed and positioned in a place that will cause the beams to detect the movement of the door
This will cause false openings and can keep your door opening and closing in a continuous loop
- Only wired IR sensor can be used on the inside channel

AUTOSLIDE

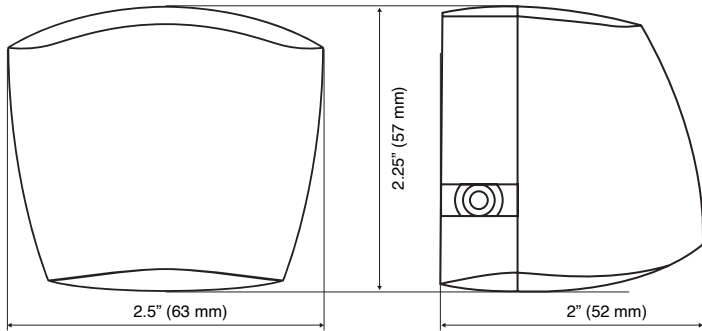
Installing your AUTOSLIDE Infrared Sensor Hardwire / Wireless



WIRELESS - Pet Mode

1. Wireless IR only, can be used as a pet sensor. In order to set it for Pet Mode, using the small screw driver supplied, set the switch to Pet Mode position
2. Place the sensor where it suites your pet height. To program the beam length, position a cardboard at the maximum range you want the beam to shoot and turn the sensor power ON. The blue light will begin to flash slowly and then rapidly. Remain in the same position until the blue light goes out
3. Press the Sensor Learn button on the motherboard. A red light will illuminate and remain on. Immediately trigger the sensor by moving in front of it, making sure the small blue light flashes on the sensor when triggered. The red light on the mother board will flash three times. Trigger the sensor once more and the red light will go out. Your sensor now will detect your pet and activate the door.

HARDWIRE/WIRELESS - Infrared Sensor	HARDWIRE/WIRELESS - Parameters
-------------------------------------	--------------------------------



Sensor	
Dynamic Current: 13mA	Sensing method: Infrared scanning
Scanning Area: 4" x 3" (100x80 mm)	9 volt Zinc Carbon or Lithium
Frequency: 433 MHz	Wireless transmit distance: 49' (15 m)
Standby current: $\leq 80 \mu\text{A}$	Sensing Distance: (Maximum): 6.5' (2 m)
Working temperature: -68°F + 140°F (-20°C + 60°C)	Installation height: $\leq 102"$ (260 cm)
Receiver	
Power supply: AC/DC 12-36V	Quiescent dissipation: 15mA
Dynamic current: 80mA (DC 12V)	Main contact capacity: 20A 14VDC



FCC Statement

This device complies with part 15 of the FCC Rules. Operation is subject to the following two conditions:

- 1) This device may not cause harmful interference, and
- 2) This device must accept any interference received, including interference that may cause undesired operation.

Any Changes or modifications not expressly approved by the party responsible for compliance could void the user's authority to operate the equipment.

Note: This equipment has been tested and found to comply with the limits for a Class B digital device, pursuant to part 15 of the FCC Rules. These limits are designed to provide reasonable protection against harmful interference in a residential installation. This equipment generates uses and can radiate radio frequency energy and, if not installed and used in accordance with the instructions, may cause harmful interference to radio communications. However, there is no guarantee that interference will not occur in a particular installation. If this equipment does cause harmful interference to radio or television reception, which can be determined by turning the equipment off and on, the user is encouraged to try to correct the interference by one or more of the following measures:

- Reorient or relocate the receiving antenna.
- Increase the separation between the equipment and receiver.
- Connect the equipment into an outlet on a circuit different from that to which the receiver is connected.
- Consult the dealer or an experienced radio/TV technician for help.

This device complies with part 15 of the FCC Rules. Operation is subject to the following two conditions:

- 1) This device may not cause harmful interference, and
- 2) This device must accept any interference received, including interference that may cause undesired operation.

Changes or modifications not expressly approved by the party responsible for compliance could void the user's authority to operate the equipment.

NOTE: This equipment has been tested and found to comply with the limits for a Class A digital device, pursuant to part 15 of the FCC Rules. These limits are designed to provide reasonable protection against harmful interference when the equipment is operated in a commercial environment. This equipment generates, uses, and can radiate radio frequency energy and, if not installed and used in accordance with the instruction manual, may cause harmful interference to radio communications. Operation of this equipment in a residential area is likely to cause harmful interference in which case the user will be required to correct the interference at his own expense.